

SPARE PARTS LIST
LISTINO RICAMBI / ERSATZTEILLISTE / LISTE DE PIECES DE RECHANGE / LISTADO DE REPUESTOS

M551860008 - STAR-FC HYD L=125 469 413 516 007 538

Code	Description	Descrizione	Beschreibung	Description	Descripción
01-0087	Frame for STAR FC HYD	telaio STAR FC HYD	Rahmen für STAR FC HYD	Châssis STAR FC HYD	Chasis STAR FC HYD
02-0045B	Rotor STAR FC hyd ULTRA OPT 469	rotore STAR FC hyd ULTRA OPT 469	Rotor STAR FC hyd ULTRA OPT 469	Rotor STAR FC hyd ULTRA OPT 469	Rotor STAR FC hyd ULTRA OPT 469
03-0155A	Transmission STAR FC HYD	trasmissione STAR FC HYD	Antrieb STAR FC HYD	Transmission STAR FC HYD	Transmisión STAR FC HYD
10-0014	Chain protection	protezione a catene	Kettenschutz	Protection de chaînes	Protección de cadenas
11-0002	Document container	contenitore documenti	Dokumentenbehälter	Conteneur de documents	Contenedor de documentos
12-0066A	Hydraulic plant STAR FC HYD MT	impianto idraulico STAR FC HYD MT	Hydraulische Anlage STAR FC HYD MT	Installation hydraulique STAR FC HYD MT	Instalacion hiraulica STAR FC HYD MT
13-0011B	ISOBUS electronic control unit STAR FC HYD	imp el. ISOBUS su macchina STAR FC HYD	ISOBUS Steuerung machinenseite STAR FC HYD	Unité de contrôle électronique ISOBUS STAR FC HYD	Unidad de control electrónico ISOBUS STAR FC HYD
13-0012A	ISOBUS on tractor/excavator	imp el. ISOBUS su trattore/escavatore	ISOBUS auf Traktor/Bagger	ISOBUS sur tracteur/excavateur	ISOBUS en tractor/excavadora

Frame for STAR FC HYD

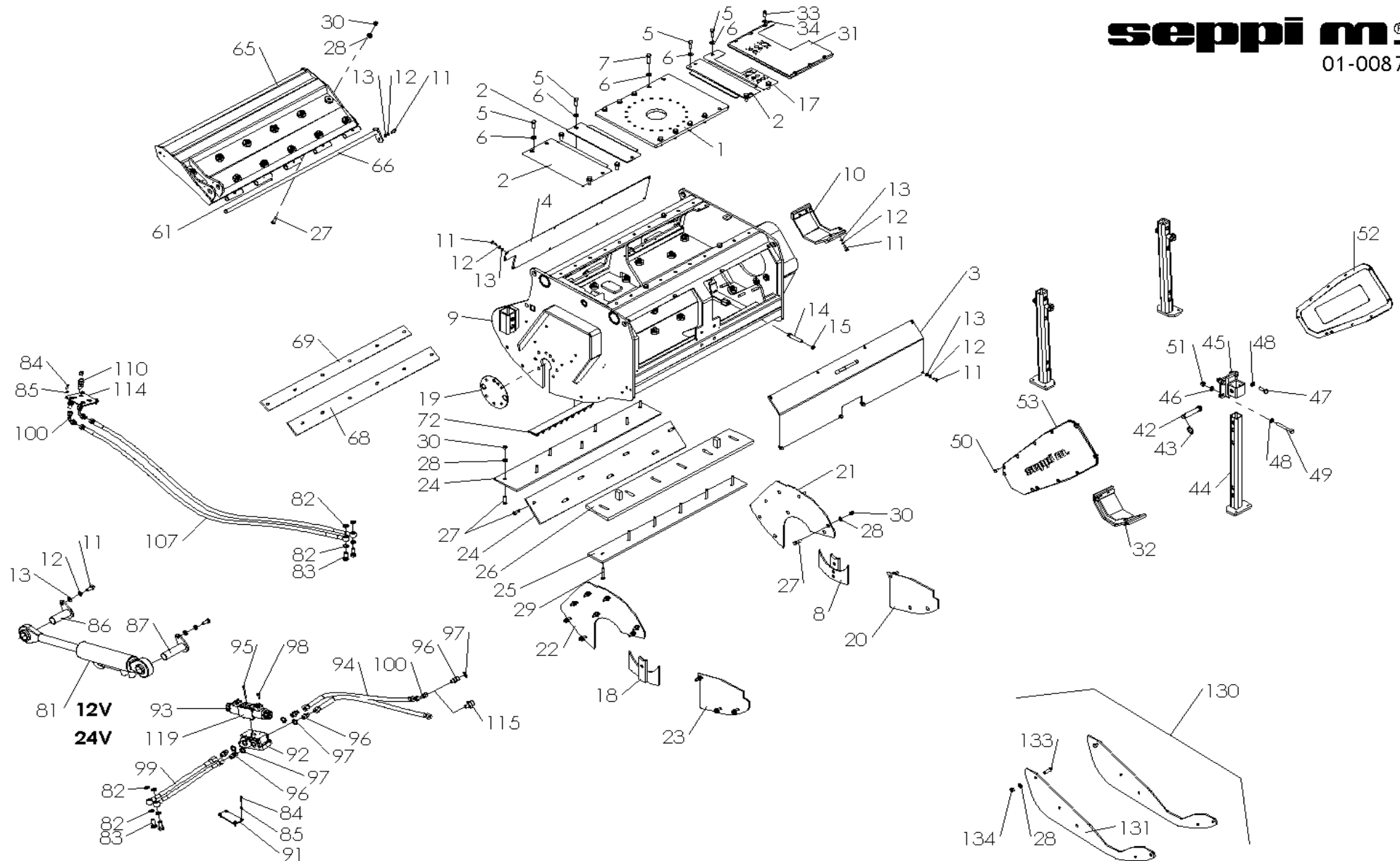
telaio STAR FC HYD

Rahmen für STAR FC HYD

Châssis STAR FC HYD

Chasis STAR FC HYD

seppi m®
01-0087

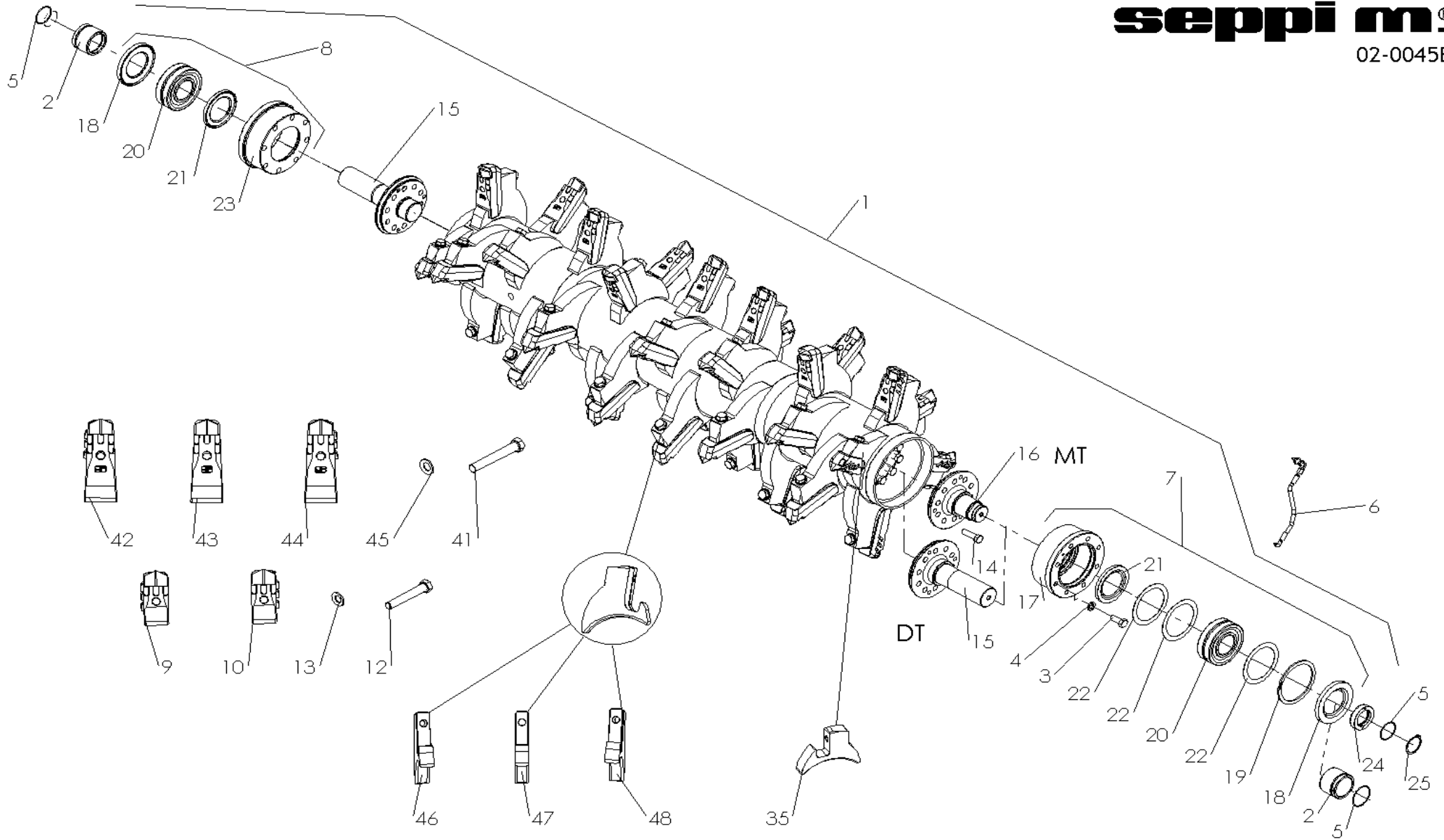


Pos.	Code	Descrizione	Description	Beschreibung	Description	Descripción	Quantity
001	19504209	PIASTRA X RALLA BE523 BMS 10 FORI	SLEWING RING PLATE BE523 BMS 10 HOLES	PLATTE F. WELLENSCH. BE523 BMS 10 LÖCHER	PLAQUE CRAPAUDINE BE523 BMS 10 TROUS	PLANCHA P/ REJA BE523 BMS 10 AGUJEROS	1
002	19501151	COPERCHIO SUPERIORE	UPPER COVER	DECKEL OBEN	COUVERCLE SUPÉRIEUR	TAPA SUPERIOR	1
003	18601367	CHIUSURA ANTERIORE CPL L=125	FRONT CLOSURE L=125	VORDERE VERSCHLUSS L=125	COUVERCLE AVANT L=125	TAPA DELANTERA L=125	1
004	18601321	CHIUSURA POSTERIORE L=125	REAR CLOSURE L=125	HINTERER VERSCHLUSS L=125	COUVERCLE ARRIÈRE L=125	TAPA TRASERA L=125	1
005	96634523	VITE TE M16X 40 UNI 5739 10.9 ZN	BOLT TE M16X 40 UNI 5739 10.9 ZN	SCHRAUBE TE M 16 X 40 UNI 5739 10,9 ZN	VIS TE M16X 40 UNI 5739 10.9 ZN	TORNILLO TE M16X 40 UNI 5739 10.9 ZN	4
006	97093611	ROSETTA PIANA CARPENT. M16 ZN UNI5714	SMOOTH WASHER CARPENT.X M16 UNI 5714 ZN	GLATTE SCHEIBE F. M16 UNI 5714 ZN	RONDELL. LISSE CARPENT.X M16 UNI 5714 ZN	ARANDELA PLANA M16 UNI 5714 ZN	14
007	96614823	VITE TE M16X 50 UNI 5739 10.9 ZN	HEX HEAD SCREW M16X 50 UNI 5739 10.9 GV	SCHRAUBE TE M16X 50 UNI 5739 10.9 ZN	VIS TH M16X 50 UNI 5739 10.9 ZN	TORNILLO TE M16X 50 UNI 5739 10.9 GALV.	10
008	18601288	LINGUELLA CPL.SX SFC HYD MOD.14	CPL CLOS. PLATE LH SFC HYD MOD.14	PLATTE KPL.L SFC HYD MOD.14	LANGUETTE CPL.GCHE SFC HYD MOD.14	LENGÜETA CPL.IZQ SFC HIDR MOD.14	1
009	18601309	TELAIO CPL SFC HYD L=125 DT	FRAME SFC HYD L=125 DT	RAHMEN SFC HYD L=125 DT	CADRE SFC HYD L=125 DT	CHASIS SFC HYD L=125 DT	1
010	18601322	CHIUSURA CPL CORNICE SX	CLOSURE CPL LEFT FRAME	VERSCHLUSS KPL RAHMEN L	FERMETURE CPL CADRE GCHE	CIERRE CPL MARCO IZQ	1
011	96607631	VITE TE M10X 25 UNI 5739 10.9 ZN	HEX HEAD SCREW M10X 25 UNI 5739 10.9 GV	SCHRAUBE TE M10X 25 UNI 5739 10.9 ZN	VIS TH M10X 25 UNI 5739 10.9 ZN	TORNILLO TE M10X 25 UNI 5739 10.9 GALV	25
012	97494931	RONDELLA UNI 9195 ELSP 10,2X18,1X2,6 ZN	WASHER UNI 9195 ELSP 10,2X18,1X2,6 ZN	SCHEIBE UNI 9195 ELSP 10,2X18,1X2,6 ZN	RONDELLE UNI 9195 ELSP 10,2X18,1X2,6 ZN	ARANDELA UNI 9195 ELSP 10,2X18,1X2,6 ZN	28
013	97095111	ROSETTA PIANA 10,5X20X2,0 M10 ZN UNI6592	SMOOTH WASHER UNI 6592 - 10,5X21X2,0 ZN	GLATTE SCHEIBE UNI 6592 - 10,5X21X2 ZN	RONDELL.LISSE UNI 6592 - 10,5X21X2,0 ZN	ARANDELA PLANA UNI 6592-10,5X21X2,0 ZN	28
014	96615521	VITE TE M16X100 UNI 5739 8.8 ZN	BOLT TE M16X100 UNI 5739 8.8 ZN	SCHRAUBE TE M 16 X 100 UNI 5739 8,8 ZN	VIS TE M16X100 UNI 5739 8.8 ZN	TORNILLO TE M16X100 UNI 5739 8.8 ZN	2
015	96980471	DADO M16-6S UNI5589 BASSO H=08 ZN	NUT M 16-6S UNI5589 H=08	MUTTER M 16-6S UNI5589 H=08 NIEDER	ECR.M 16-6S UNI5589 H=08	TUERCA M 16-6S UNI5589 BAJA H=08 GALV.	2
018	18601289	LINGUELLA CPL.DX SFC HYD MOD.14	CLOSURE TUNG R SFC HYD MOD.14	VERSCHLUSS ZUNGE R SFC HYD MOD.14	LANGUETTE D SFC HYD MOD.14	LENGUETA D SFC HYD MOD.14	1
020	18601412	PIASTRA HARDOX 400 ANT SX SFC	FRONT LH PLATE IN HARDOX 400 SFC	PLATTE HARDOX 400 VOR L SFC	PLAQUE HARDOX 400 AV GCHE SFC	PLANCHA HARDOX 400 DEL IZQ SFC	1
021	18601414	PIASTRA HARDOX 400 POST SX SFC	REAR LH PLATE IN HARDOX 400 SFC	PLATTE HARDOX 400 HIN L SFC	PLAQUE HARDOX 400 ARR GCHE SFC	PLANCHA HARDOX 400 TRAS IZQ SFC	1
022	18601413	PIASTRA HARDOX 400 POST DX SFC	REAR RH PLATE IN HARDOX 400 SFC	PLATTE HARDOX 400 HIN R SFC	PLAQUE HARDOX 400 ARR DRT SFC	PLANCHA HARDOX 400 TRAS DER SFC	1
023	18601411	PIASTRA HARDOX 400 ANT DX SFC	FRONT RH PLATE IN HARDOX 400 SFC	PLATTE HARDOX 400 VOR. R SFC	PLAQUE HARDOX 400 AV DRT SFC	PLANCHA HARDOX 400 DEL DER SFC	1
024	18601466	PIATTO CPL ANITUSURA L=1234	WEAR PLATE L=1234	VERSCHLEISS PLATTE L=1234	PLAQUE ANTIUSURE L=1234	PLACA ANTIDESGASTE L=1234	2
025	18601420	PIATTO HARDOX 120 X 12 L=1234	WEAR PLATE 120 X 12 L=1234	VERSCHLEISS PLATTE 120 X 12 L=1234	PLAQUE ANTIUSURE 120 X 12 L=1234	PLACA ANTIDESGASTE 120 X 12 L=1234	1
026	18601426	INCUDINE REGOLABILE CPL L=125	ANVIL BAR L=125	BRECHLEISTE L=125	ENCLUME L=125	YUNQUE L=125	1
027	16901401	VITE TS A 2 NASELLI M14X1,5 L=55 8.8 ZN	DOUBLE LUG COUNTERSUNK HEAD BOLT M14X 55	SENKSCHRAUBE MIT ZWEI NASEN M14X 55	VIS À TÊTE FRAISÉE À DEUX ERGOTS M14X 55	TORNILLO DE CABEZA AV.CON DOS OR M14X 55	48
028	97091671	ROSETTA EL CONICA NF E25-511 14,4X30X2,4	CONIC EL WASHER NF E25-511 14,4X30X2,4	UNTERLEGESCHEIBE EL KONISCH NF E25-511 1	RONDELLE ÉL. CONIQUE NF E25-511 14,4X30X	ARANDELA EL CÓNICA NF E25-511 14,4X30X2,	56
029	16901402	VITE TS A 2 NASELLI M14X1,5 L=80 8.8 ZN	DOUBLE LUG COUNTERSUNK HEAD BOLT M14X 80	SENKSCHRAUBE MIT ZWEI NASEN M14X 80	VIS À TÊTE FRAISÉE À DEUX ERGOTS M14X 80	TORNILLO DE CABEZA AV.CON DOS OR M14X 80	6
030	97973221	DADO AUTOBLOC.BASSO M14 X 1,5 UNI7474	LOW.SELFBLOCK.NUT M 14 X 1,5 UNI7474	AUTOBLOCK.MUTTER KURZ M14X1,5 UNI7474	ECROU AUTOSERR.M 14-1,5 UNI7474	TUERCA AUTO BLOQ. BAJA M14 X 1,5 UNI7474	54
031	18601387	COPERTURA CPL SFC HYD DT	COVER SFC HYD DT	DECKEL SFC HYD DT	COUVERCLE SFC HYD DT	TAPA SFC HYD DT	1
032	18601323	CHIUSURA CPL CORNICE DX	CLOSURE BELT GUARD R	VERSCHLUSS KEILRIEMENKASTEN UNTEN R	COUVERCLE COURROIES INF. D	TAPA CORREAS INF. D	1
033	96609921	VITE TE M12X 30 UNI 5739 8.8 ZN	BOLT TE M 12X030 UNI 5739 8.8 ZN	SCHRAUBE TE M 12 X 30 UNI 5739 8,8 ZN	VIS TE M 12X030 UNI 5739 8.8 ZN	TORNILLO TE M12X 30 UNI 5739 8.8 ZN	6

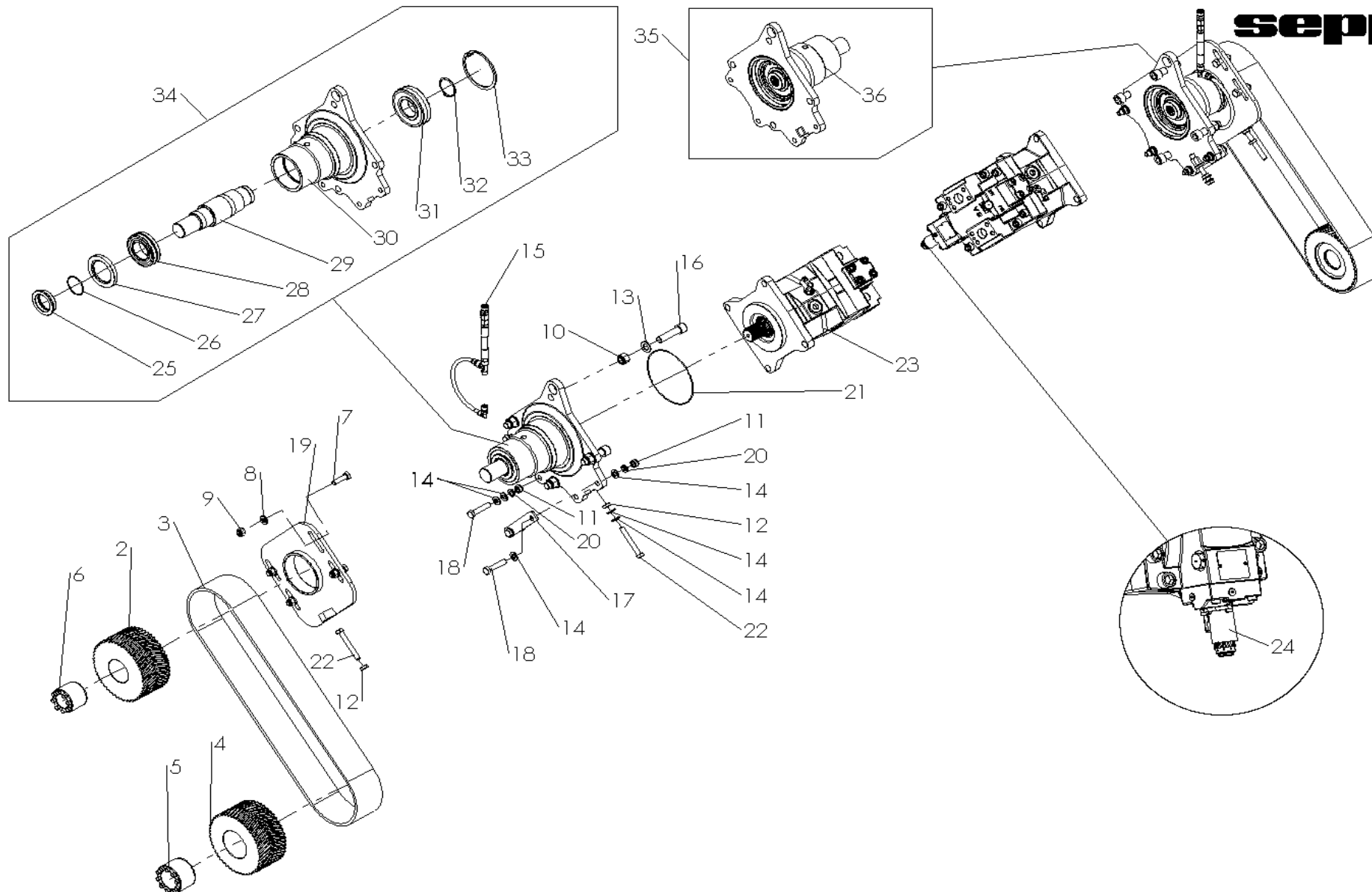
034	97093211	ROSETTA PIANA CARPENT. M12 ZN UNI5714	WASHER	GLATTE SCHEIBE F. M12 UNI 5714 ZN	RONDELLE LISSE M M12 UNI 5714	ARANDELA PLANA CARPINT.X M12 UNI 5714 ZN	6
042	11904112	PERNO D25,5 X 110 PER 3€ PUNTO	PIN D25,5 X 110	BOLZEN D25,5 X 110	PIVOT D25,5 X 110	PERNO D25,5 X 110	3
043	16004014	SPINA A SCATTO D.10	PIN D. 10	SPERRBOLZEN DM 10	GOUJON D. 10	PERNO A SCATTO D.10	3
044	16910020	PIEDINO CPL	CPL FOOT	STUETZE KPL	PIED CPL	PIE CPL	3
045	17110132	SOSTEGNO PIEDINO MULTIF. CPL	MULTIF.FOOT SUPPORT CPL	STUETZE FUER STUETZE MULTIFORST KPL	SUPPORT PIED MULTIF.CPL	SOPORTE DE PIE MULTIF.CPL	1
046	97495231	RONDELLA UNI 9195 ELSP 16,2X27,4X4 ZN	WASHER ELSP ASA B- 27 - 16,2X27,4X3,5 ZN	SCHEIBE ELSP ASA B-27 - 16,2X27,4X3,5 ZN	RONDELLE ELS ASA B- 27 - 16,2X27,4X3,5 Z	ARANDELA ELSP ASA B-27- 16,2X27,4X3,5 ZN	4
048	97095711	ROSETTA PIANA 17,0X30X3,0 M16 ZN UNI6592	SMOOTH WASHER UNI 6592 - 16X30X3,0 ZN	GLATTE SCHEIBE UNI 6592 - 16X30X3 ZN	RONDELL.LISSE UNI 6592 - 16X30X3,0 ZN	ARANDELA PLANA UNI 6592- 16,0X30X3,0 ZN	4
049	96615721	VITE TE M16X120 UNI 5737 8.8 ZN	BOLT TE M16X120 UNI 5737 8.8 ZN	SCHRAUBE TE M16X120 UNI 5737 8.8 ZN	VIS TH M16X120 UNI 5737 8.8 ZN	TORNILLO TE M16X120 UNI 5737 8.8 GALV.	2
049	96614823	VITE TE M16X 50 UNI 5739 10.9 ZN	HEX HEAD SCREW M16X 50 UNI 5739 10.9 ZN	SCHRAUBE TE M16X 50 UNI 5739 10.9 ZN	VIS TH M16X 50 UNI 5739 10.9 ZN	TORNILLO TE M16X 50 UNI 5739 10.9 GALV.	2
050	96607421	VITE TE M10X 16 UNI 5739 8.8 ZN	BOLT TE M10X 16 UNI 5739 8.8 ZN	SCHRAUBE TE M10X 16 UNI 5739 8.8 ZN	VIS TH M10X 16 UNI 5739 8.8 ZN	TORNILLO TE M10X 16 UNI 5739 8.8 GALV.	22
051	97972521	DADO AUTOBLOC.BASSO M16-6S UNI7474	LOW.SELFBLOCK.NUT M 16-6S UNI7474	SELBSTSICHER.MUTTER M16-6S UNI7474 NIED.	ECROU AUTOSERR.M 16-6S UNI7474	TUERCA AUTO BLOQ. BAJA M 16-6S UNI7474	4
052	18610120	COPERCHIO CORNICE CPL SX V2	COVER CPL SX V2	DECKEL RAHMEN KPL L V2	COUVERCLE CADRE CPL GCHE V2	TAPA MARCO CPL IZQ V2	1
053	18610119	COPERCHIO CORNICE CPL DX V2	COVER V2 R	DECKEL V2 R	COUVERCLE V2 D	TAPA V2 D	1
061	97036611	INGRASS DIRITTO UNI 71412 AM 6X1(5-8CH7	GREASE NIPPLE UNI 7663 AM 6-5.8	SCHMIERNIPPEL UNI 7663 AM 6X1(5-8)	GRAISSEUR UNI 7663 AM 6-5.8	LUBRICADOR UNI 7663 AM 6X1(5-8CH7	5
062	96607631	VITE TE M10X 25 UNI 5739 10.9 ZN	HEX HEAD SCREW M10X 25 UNI 5739 10.9 ZN	SCHRAUBE TE M10X 25 UNI 5739 10.9 ZN	VIS TH M10X 25 UNI 5739 10.9 ZN	TORNILLO TE M10X 25 UNI 5739 10.9 GALV	1
065	18608124	COFANO CPL STAR FC HYD L=125	HOOD STAR FC HYD L=125	HAUBE STAR FC HYD L=125	CAPOT STAR FC HYD L=125	CAPÒ STAR FC HYD L=125	1
066	18608133	ASTA CERNIERA COFANO CPL 125 X SFC HYD	HOOD HINGE L=125 SFC HYD	SCHARNIERSTANGE L=125 SFC HYD	TIGE DE CHARNIÈRE L=125 SFC HYD	BARRILLA BISAGRA L=125 SFC HYD	1
068	18608165	PIATTO HARDOX 100 X 8 L=1214	WEAR PLATE 100 X 8 L=1214	VERSCHLEISS PLATTE 100 X 8 L=1214	PLAQUE ANTIUSURE 100 X 8 L=1214	PLACA ANTIDESGASTE 100 X 8 L=1214	1
069	18608168	PIATTO HARDOX 80 X 8 L=1214	WEAR PLATE 80 X 8 L=1214	VERSCHLEISSPLATTE 80 X 8 L=1214	PLAQUE ANTIUSURE 80 X 8 L=1214	PLACA ANTIDESGASTE 80 X 8 L=1214	1
072	19401079	CONTROLAMA MIDIFORST L=250	CONTERCUTTER MIDIFORST	GEGENSCHNEIDKLINGE MIDIFORST - KURZ	CONTRE-COUTEAU MIDIFORST	CONTRA CUCHILLAS MIDIFORST L=250	2
072	19401021	CONTROLAMA MIDIFORST	COUNTER CUTTER BRUSH BAR	GEGENSCHNEIDE	CONTRE-COUTEAU	CONTRA CUCHILLA	4
081	17012001	CILINDRO HYD 60X30X200 (450-650)	HYD CYLINDER 60X30X200 (450-650)	HYD. ZYLINDER 60X30X200 (450-650)	CYLINDRE HYD 60X30X200 (450-650)	CILINDRO HYD 60X30X200 (450-650)	1
082	96508160	GUARNIZ.TIPO BONDED AUTOCENT. 1/4"	COPPER GASKET 14 X 18(1/4")	KUPFERDICHTUNG 14 X 18 (1/4")	JOINT EN CUIVRE 14 X 18(1/4")	JUNTA SECC. RECT. A14 X 18 (1/4")	4
083	19412007	VITE X RACCORDO AD OCCHIO 1/4"	BOLT FOR COUPLING 1/4"	SCHRAUBE F. ANSCHLUSSSTUECK 1/4"	VIS POUR JOINT 1/4"	TORNILLO X EMPALME A OJO 1/4"	2
084	96687721	VITE TCEI M 5X 16 UNI 5931 8.8 ZN	SOCKET HEAD SCREW M 5X 16 UNI 5931 8.8 G	SCHRAUBE TCEI M 5X 16 UNI 5931 8.8 ZN	VIS CHC M 5X 16 UNI 5931 8.8 ZN	TORN.ALLEN M 5X 16 UNI 5931 8.8 GALV.	4
085	97494631	RONDELLA UNI 1751 ELSP 5,1X 9,2X1,2 ZN	WASHER UNI 1751 ELSP-05,1X 9,2X1,2 Z	SCHEIBE UNI 1751 ELSP-05,1X 9,2X1,2 Z	RONDELLE UNI 1751 ELSP-05,1X 9,2X1,2 Z	ARANDELA UNI 1751 ELSP-05,1X 9,2X1,2 Z	4
086	18904071	PERNO CON GOCCIA D30X 85 INT=45 M10	PIN WITH DRIP D30X 85 INT=45 M10	BOLZEN M.PLATTE D30X 85 INT=45 M10	PIVOT AVEC GOUTTE D30X 85 INT=45 M10	PERNO CON GOTA D30X 85 INT=45 M10	1
087	21012042	PERNO CON GOCCIA D30X105 INT=45 M10	PIN WITH PLATE D 30X105 INT=45	BOLZEN M.PLATTE D 30X105 INT=45	GOUJON A.PLAQUE D 30X105 INT=45	PERNO CON PLACA D 30X105 INT=45	1
088	96607631	VITE TE M10X 25 UNI 5739 10.9 ZN	HEX HEAD SCREW M10X 25 UNI 5739 10.9 ZN	SCHRAUBE TE M10X 25 UNI 5739 10.9 ZN	VIS TH M10X 25 UNI 5739 10.9 ZN	TORNILLO TE M10X 25 UNI 5739 10.9 GALV	2
100	48112031	CURVA 90€ M-F GIREVOLE G 1/4"	ROTARY 90€ ELBOW M - F GAS 1/4"	BIEGEUNG 90 M-W DREHBAR 1/4"	COURBE 90 M-H	CODO 90€ M-H GIRATORIO 1/4"	2
107	46012011	TUBO IDR R2AT 1/4" 1300-FD-O	HYDR HOSE R2AT 1/4" 1300-FD-O	HYDR.S. R2AT 1/4" 1300-FD-O	TUYAU HYDR R2AT 1/4" 1300-FD-O	TUBO HIDR R2AT 1/4" 1300-FD-O	2
110	19312012	RACCORDO PASSAPARETE M1/4"-M1/4"	COUPLING M1/4"-M1/4"	ANSCHLUSS M1/4" - M1/4"	JOINT M1/4"-M1/4"	EMPALME M1/4"-M1/4"	2

114	18601463	LAMIERA PASSAGGIO TUBI 1/4" E 3/8"	PLATE	BLECH	PLAQUE	PLACA	1
130	18607017	GR. COSTE ANTIUSURA	ANTI-WEAR EDGES GR.	GR. BLECH VERSCHLEISSFEST	GR. TÔLES ANTI-USURE	GR. ORILLAS ANTIDESGASTE	1
131	18607019	COSTA ANTIUSURA SFC HYD	ANTI-WEAR EDGE SFC HYD	KANTE VERSCHLEISSFEST SFC HYD	TÔLE ANTI-USURE SFC HYD	CANTO ANTIDESGASTE SFC HIDR	2
133	96612621	VITE TE M14X 50 UNI 5739 8.8 ZN	BOLT TE M 14X050 UNI 5739 8.8 ZN	SCHRAUBE TE M 14 X 50 UNI 5739 8,8 ZN	VIS TE M 14X050 UNI 5739 8.8 ZN	TORNILLO TE M14X 50 UNI 5739 8.8 ZN	2
134	97972321	DADO AUTOBLOC.BASSO M14-6S UNI7474	LOW.SELFBLOCK.NUT M 14-6S UNI7474	SELBSTSICHER.MUTTER M14-6S UNI7474 NIED.	ECROU AUTOSERR.M 14-6S UNI7474	TUERCA AUTO BLOQ. BAJA M 14-6S UNI7474	2

seppi m[®]
02-0045B

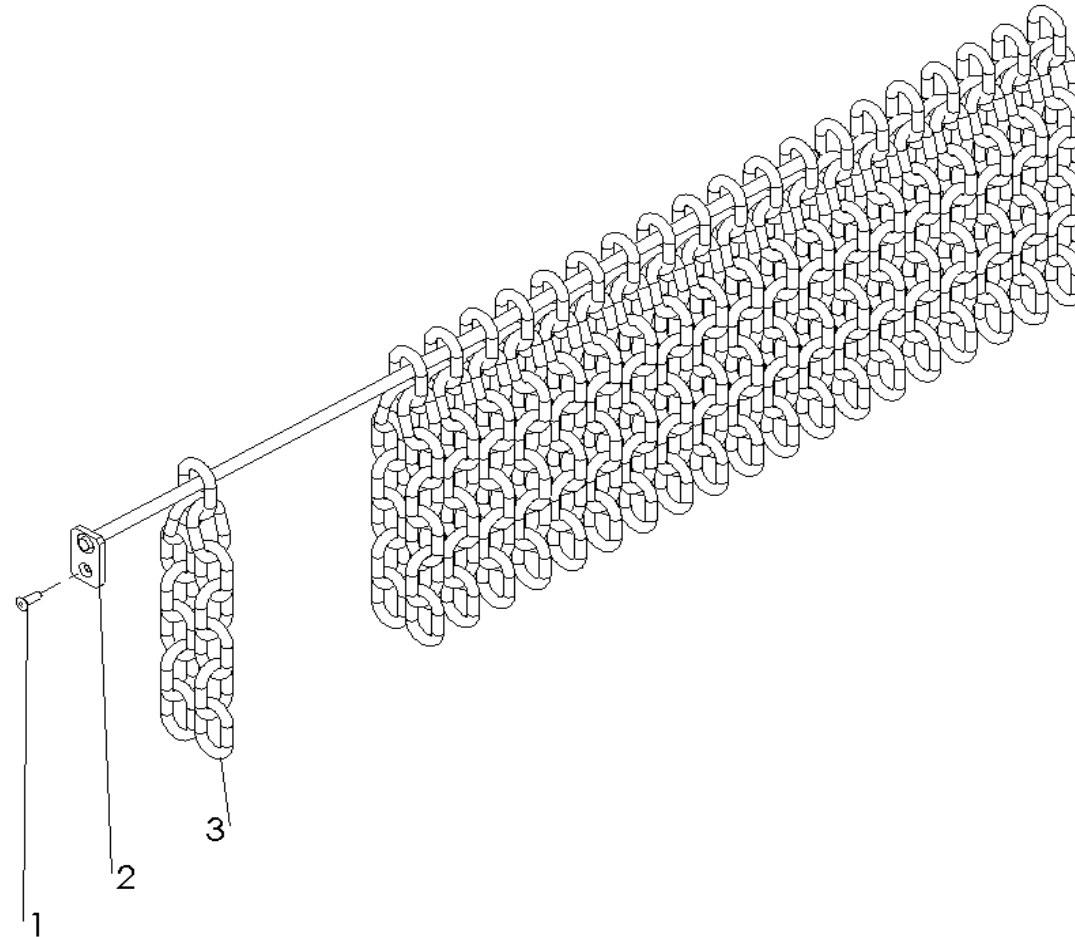


Pos.	Code	Descrizione	Description	Beschreibung	Description	Descripción	Quantity
001	18602234	GR. ROTORE RETT. T244MT L=125 OPT469	ROTOR GROUP T244MT L=125 OPT469	ROTOR GRUPPE T244MT L=125 OPT469	GROUPE ROTOR T244MT L=125 OPT469	GRUPO ROTOR T244MT L=125 OPT469	1
002	17102104	DISTANZIALE D65 X D80 L=60 MULTIFORST	SPACER D65 X D80 L=60 MULTIFORST	DISTANZST. D65 X D80 L=60 MULTIFORST	ENTRETOISE D65 X D80 L=60 MULTIFORST	DISTANCIADOR D65 X D80 L=60 MULTIFORST	1
003	96614931	VITE TE M16X 55 UNI 5739 10.9 NERA	BOLT TE M16X 55 UNI 5739 10.9 NERA	SCHRAUBE TE M 16 X 55 UNI 5739 10,9 SCHW	VIS TE M16X 55 UNI 5739 10.9 NERA	TORNILLO TE M16X 55 UNI 5739 10.9 NERA	16
004	97495234	RONDELLA UNI 9195 ELSP 16,2X27,4X4 NE	WASHER ELSP ASA B- 27 - 16,2X27,4X3,5 N	SCHEIBE ELSP ASA B- 27 - 16,2X27,4X3,5 N	RONDELLE ELS ASA B- 27 - 16,2X27,4X3,5 N	ARANDELA ELSP ASA B-27-16,2X27,4X3,5 N	16
005	97284880	ANELLO O-RING OR 145/3256 64,77X2,62	OIL SEAL O-RING OR 145/3256 64,77X2,62	O-DICHTUNGSRING 145/3256 64,77 X 2,62	BAGUE ETACH. O-RING OR 145/3256 64,77X2,	RETEN 145/3256 64,77X2	1
005	97284280	ANELLO O-RING OR 139/3218 55,25X2,62	OIL SEAL OR 139/3218 55,25X2,62	O-DICHTUNGSRING 139/3218 55,25 X 2,62	BAGUE ETACH. OR 139/3218 55,25X2,62	RETEN 139/3218 55,25X2,62	1
006	17902217	GR TUBETTO L=280 INGRASS CUSCIN ROTORE	GREASE NIPPLE L=280	KPL. SCHLAUCH L=280 SCHMIERUNG/ROTORLAGER	TUBE GRAISSEUR L=280 ROULEMENT ROTOR	TUBO L= 280 LUBRICACION COJINETE ROTOR	2
007	17102099	SUPPORTO CPL CON BATTUTA MULTIF. MOD.13	SUPPORT CPL WITH MULTIF. RABBET MOD.13	KPL. HALTER. MIT MULTIF. - ANSCHLAG MOD.13	SUPPORT CPL AVEC BUTÉE MULTIF. MOD.13	SOPORTE CPL CON TOPE MULTIF. MOD.13	1
008	17102102	SUPPORTO CPL SENZA BATTUTA MULTIF. MOD.13	SUPPORT CPL WITH NO MULTIF RABBET MOD.13	KPL. HALTER. OHNE MULTIF. - ANSCHLAG MOD.13	SUPPORT CPL SANS BUTÉE MULTIF. MOD.13	SOPORTE CPL SIN TOPE MULTIF. MOD.13	1
009	19102182	UTENSILE SUPER MONO PROT EXT L OPT443 V2	TOOL SUPER MONO PROT EXT L OPT443 V2	WERKZEUG SUPER MONO SCHUTZ EXT L OPT443	OUTIL SUPER MONO PROT EXT L OPT443 V2	HERRAMIENTA SUPER MONO PROT EXT L OPC443	1
010	19102181	UTENSILE SUPER MONO PROT EXT R OPT443 V2	TOOL SUPER MONO PROT EXT R OPT443 V2	WERKZEUG SUPER MONO SCHUTZ EXT R OPT443	OUTIL SUPER MONO PROT EXT R OPT443 V2	HERRAMIENTA SUPER MONO PROT EXT R OPC443	1
012	96615525	VITE TE M16X100 X 1,5 10.9 NERA U5738	BOLT TE M16 X 100 X 1,5 10,9 BLACK	SCHRAUBE TE M 16 X 100 X 1,5 10,9 SCHW	VIS TE M16X100 X 1,5 10,9 NOIR	TORNILLO TE M16X100X1,5 10.9 NEGRO U5738	2
013	97092171	ROSETTA EL CONICA NF E25-511 16,4X32X2,8	SPRING WASHER UNI 7064 16,4X32X2,8	KONISCHE FEDERSCHEIB. UNI7064 16,4X32X2,8	RONDELL 7064 16,4X32X2,8	ARANDELA CONICA EL. UNI 7064 16,4X32X2,8	2
014	96682833	VITE TE M16X 55 X 1,5 10.9 NERA U5738	HEX HEAD SCREW M16X 55X1.5 10.9 BLACK U5	SCHRAUBE TE M16X 55X1.5 10.9 SCHW. U5738	VIS TH M16X 55X1.5 10.9 NOIRE U5738	TORNILLO TH M16X 55X1.5 10.9 NEGRO U5738	20
015	17102113	MOZZO INT. D65 TIPO MULTIFORST V2	INT. HUB D65 MULTIFORST V2 TYPE	NABE INT. D65 TYP MULTIFORST V2	MOYEU INT. D65 TYPE MULTIFORST V2	BUJE INT. D65 TIPO MULTIFORST V2	1
016	19202150	MOZZO INT. D65 TIPO MIDIF. MT FOLLE V2	INT. HUB D65 MIDIF. TYPE MT IDLE V2	NABE INT. D65 TYP MIDIF. MT LEERL. V2	MOYEU INT. D65 MIDIF. MT CÔTÉ LIBRE V2	BUJE INT. D65 TIPO MIDIF. MT LADO LOCO V2	1
021	17102045	ANELLO DI TENUTA 80 X125 X 10	SEALING RING 80 X125 X 10	DICHTUNGSRING 80 X125 X 10	ANNEAU D'ÉTANCHÉITÉ 80 X 125 X 10	RETÉN 80 X125 X 10	2
022	17102049	ANELLO DI SPALLAMENTO 110 X 140 X 1	SNAP RING 110 X 140 X 1	DISTANZRING 110 X 140 X 1	ANNEAU D'ÉPAULEMENT 110 X 140 X 1	ARO DE APOYO 110 X 140 X 1	3
024	19702257	DISTANZIALE D65 X D80 L=18 LATO MOZ CORT	SPACER D65 X D80 L=18 SHORT HUB SIDE	DISTANZST. D65 X D80 L=18 SEITE KUR. NABE	ENTRETOISE D65 X D80 L=18 CÔTÉ MOY. COURT	DISTANCIADOR D65 X D80 L=18 LADO BUJE CO	1
025	96868076	ANELLO EL. PER ALBERI 55X2	ELASTIC RING FOR SHAFTS 55X2	WELLENSPANNRING 55X2	BAGUE ARRET POUR ARBRES 55X2	RETEN EL. P. EJES 55X2	1
035	17102018	SUPP MULTI X OPT 228 (BASSO) LAVORATO	HAMMER SUPPORT MULTIFORST EXTERNAL	SCHLAEGELHALTER MULTIFORST EXTERN	SUPPORT MARTEAU MULTIFORST EXTERNE	SOPORTE MARTILLO MULTIFORST EXTERNO	2
041	96603826	VITE TE M18X120 X 1,5 UNI 5738 12.9 NERA	BOLT TE M18X120 X1,5 UNI 5738 12.9 BLACK	SCHRAUBE TE M18X120 X1,5 UNI 5738 12.9 S	VIS TE M18X120 X1,5 UNI 5738 12.9 NOIRE	TORN. TE M18X120 X1,5 UNI 5738 12.9 NEGRO	23
042	17202085	UTENSILE ULTRA MONO PROTECT EXTREME L	ULTRA MONO PROTECT EXTREME TOOL L	WERKZEUG ULTRA MONO PROTECT EXTREME L	OUTIL ULTRA MONO PROTECT EXTREME L	HERRAMIENTA ULTRA MONO PROTECT EXTREME L	2
043	17202074	UTENSILE ULTRA MONO PROTECT	ULTRA MONO PROTECT TOOL	WERKZEUG ULTRA MONO PROTECT	OUTIL ULTRA MONO PROTECT	HERRAMIENTA ULTRA MONO PROTECT	19
044	17202086	UTENSILE ULTRA MONO PROTECT EXTREME R	ULTRA MONO PROTECT EXTREME TOOL R	WERKZEUG ULTRA MONO PROTECT EXTREME R	OUTIL ULTRA MONO PROTECT EXTREME R	HERRAMIENTA ULTRA MONO PROTECT EXTREME R	2
045	17202093	ROSETTA EL CONICA M BN208010 18,5X35X4,5	CONIC EL WASHER M BN208010 18,5X35X4,5	UNTERLEGESCHEIBE EL KONISCH 18,5X35X4,5	RONDELLE ÉL. CONIQUE 18,5X35X4,5	ARANDELA EL CÓNICA BN208010 18,5X35X4,5	23
046	16902116	SUPPORTO FRESATO STARSOIL ULTRA EXTR SX	MILLED SUPPORT STARSOIL ULTRA EXTR L	GEFRAESTE STÜTZESTARSOIL ULTRA EXTR LI	SUPP. FRAISE STARSOIL ULTRA EXTR GAUCHE	SOPORTE FRESADO STARSOIL ULTRA EXTR IZQ	2
047	16902114	SUPPORTO FRESATO STARSOIL ULTRA	MILLED SUPPORT STARSOIL ULTRA	GEFRAESTE STÜTZE STARSOIL ULTRA	SUPPORT FRAISE STARSOIL ULTRA	SOPORTE FRESADO STARSOIL ULTRA	19
048	16902115	SUPPORTO FRESATO STARSOIL ULTRA EXTR DX	MILLED SUPPORT STARSOIL ULTRA EXTR R	GEFRAESTE STÜTZESTARSOIL ULTRA EXTR RE	SUPPORT FRAISE STARSOIL ULTRA EXTR DROIT	SOPORTE FRESADO STARSOIL ULTRA EXTR DCH	2



Pos.	Code	Descrizione	Description	Beschreibung	Description	Descripción	Quantity
002	18603225	PULEGGIA DENT D213 -14M-W107 EAGLE PC80	TOOTHED PULLEY D213 -14M-W107 EAGLE PC80	ZAHNRIEMENS. D213 -14M-W107 EAGLE PC80	POULIE DENT D213 -14M-W107 EAGLE PC80	POLEA DENT D213 -14M-W107 EAGLE PC80	1
003	18603223	CINGHIA EAGLE NRG 14M RED 1960-105	BELT EAGLE NRG 14M RED 1960-105	RIEMEN EAGLE NRG 14M RED 1960-105	COURROIE EAGLE NRG 14M RED 1960-105	CORREA EAGLE NRG 14M RED 1960-105	1
004	18603226	PULEGGIA DENT D213 -14M-W107 EAGLE PC95	TOOTHED PULLEY D213 -14M-W107 EAGLE PC95	GEZAHNTE RIEMENSCH.D213 -14M-W107 EAGLE	POULIE DENT D213 -14M-W107 EAGLE PC95	POLEA DENT.D213 -14M-W107 EAGLE PC95	1
005	19303012	CALETTATORE VIBLOCK VK 112 65 X 95	TAPER LOCK VIBLOCK VK 112 65 X 95	SPANNBUECHSE VIBLOCK VK 112 65 X 95	MOYEU VIBLOCK VK 112 65 X 95	JUNTA VIBLOCK VK 112 65 X 95	1
006	10415047	CALETTATORE VIBLOCK VK 112 50 X 80	TAPER LOCK VIBLOCK VK 112 50 X 80	SPANNBUECHSE VIBLOCK VK 112 50 X 80	MOYEU VIBLOCK VK 112 50 X 80	JUNTA VIBLOCK VK 112 50 X 80	54
007	96611823	VITE TE M14X 50 UNI 5737 10.9 ZN	HEX HEAD SCREW M14X 50 UNI 5737 10.9 GV	SCHRAUBE TE M14X 50 UNI 5737 10.9 ZN	VIS TH M14X 50 UNI 5737 10.9 ZN	TORNILLO TE M14X 50 UNI 5737 10.9 GALV.	4
008	97093311	ROSETTA PIANA CARPENT. M14 ZN UNI5714	SMOOTH WASHER M 14 UNI 5714 ZN	GLATTE SCHEIBE F. M 14 UNI 5714 ZN	RONDELLE LISSE M 14 UNI 5714 ZN	ARANDELA PLANA M14 UNI 5714 ZN	4
009	97155421	DADO AUTOBLOC.ALTO M14-6S UNI747	SELFBLOCK NUT M14-6S UNI747	SELBSTSICHER.MUTTER M 14-6S UNI7474 HOCH	ECROU AUTOSERR M14-6S UNI747	TUERCA AUTO BLOQ. M14-6S UNI747	4
010	97156021	DADO AUTOBLOC.ALTO M20-6S UNI747	SELFBLOCK NUT M20-6S UNI747	SELBSTSICHER.MUTTER M 20-6S UNI7474 HOCH	ECROU AUTOSERR M20-6S UNI747	TUERCA AUTO BLOQ. M20-6S UNI747	4
011	97972321	DADO AUTOBLOC.BASSO M14-6S UNI7474	LOW.SELFBLOCK.NUT M 14-6S UNI7474	SELBSTSICHER.MUTTER M14-6S UNI7474 NIED.	ECROU AUTOSERR.M 14-6S UNI7474	TUERCA AUTO BLOQ. BAJA M 14-6S UNI7474	4
012	96980271	DADO M14-6S UNI5589 BASSO H=08 ZN	NUT M 14-6S UNI5589 H=08	MUTTET M 14-6S UNI5589 H=08 NIEDER	ECR.M 14-6S UNI5589 H=08	TUERCA M 14-6S UNI5589 BAJA H=08 GALV.	3
013	97096011	ROSETTA PIANA 21,0X37X3,0 M20 ZN UNI6592	SMOOTH WASHER UNI 6592 - 20X37X3,0 ZN	GLATTE SCHEIBE UNI 6592 - 20X37X3 ZN	RONDELL.LISSE UNI 6592 - 20X37X3,0 ZN	ARANDELA PLANA UNI 6592-20,0X37X3,0 ZN	4
014	97095511	ROSETTA PIANA 15,0X28X2,5 M14 ZN UNI6592	SMOOTH WASHER UNI 6592 - 14X28X2,5 ZN	GLATTE SCHEIBE UNI 6592 - 14X28X2,5 ZN	RONDELL.LISSE UNI 6592 - 14X28X2,5 ZN	ARANDELA PLANA UNI 6592-14,0X28X2,5 ZN	10
015	18603146	KIT TUBETTO LIVELLO OLIO X PROL D.140	OIL LEVEL TUBE KITXEXTENSION D.140	KIT SCHLAUCH OELNIVEAU F. VERL. D.140	KIT TUYAU NIVEAU HUILE POUR RALL D.140	KIT TUBO DE NIVEL DE ACEITEXPROL D.140	1
016	96700621	VITE TCEI M20X 80 UNI 5931 8.8 ZN	BOLT TCEI M20X 80 UNI 5931 8.8 ZN	SCHRAUBE TCEI M 20 X 80 UNI 5931 8,8 ZN	VIS TCEI M20X 80 UNI 5931 8.8 ZN	TORNILLO TCEI M20X 80 UNI 5931 8.8 ZN	4
017	18603232	PIASTRA TIRO CINGHIE	BELT TENSIONING PLATE	KEILRIEMENZUGPLATTE	PLAQUE TENSION COURROIES	PLANCHA TIRO CORREAS	1
018	96613021	VITE TE M14X 70 UNI 5737 8.8 ZN	BOLT TE M 14X070 UNI 5737 8.8 ZN	SCHRAUBE TE M 14 X 70 UNI 5737 8,8 ZN	VIS TE M 14X070 UNI 5737 8.8 ZN	TORNILLO TE M14X 70 UNI 5737 8.8 ZN	4
019	18603230	FLANGIA CPL X TIRO CINGHIE	FLANGE CPL FOR BELT PULL	FLANSCH KPL F. KEILRIEMENSANNUNG	BRIDE CPL POUT TENS. COURROIES	BRIDA CPL X TIRO CORREA	1
020	97495131	RONDELLA UNI 9195 ELSP 14,2X24,1X3,5 ZN	WASHER ELSP ASA B- 27 - 14,2X24,1X3 ZN	SCHEIBE ELSP ASA B- 27 - 14,2X24,1X3 ZN	RONDELLE ELS ASA B- 27 - 14,2X24,1X3 ZN	ARANDELA ELSP ASA B-27-14,2X24,1X3 ZN	4
021	97307780	ANELLO O-RING OR 168/3725 183,83X2,62	OIL SEAL OR 168/3725 183,83X2,62	O-DICHTUNGSRING 168/3725 183,83 X 2,62	BAGUE ETACH. OR 168/3725 183,83X2,62	RETEN 168/3725 183,83X2,62	1
022	96621621	VITE TE M14X100 UNI 5739 8.8 ZN	BOLT TE M 14X100 UNI 5739 8.8 ZN	SCHRAUBE TE M 14 X 100 UNI 5739 8,8 ZN	VIS TE M 14X100 UNI 5739 8.8 ZN	TORNILLO TE M14X100 UNI 5739 8.8 ZN	2
023	18603247	MOTORE DANF. H1B 250A SAE-E 2 SPEED 24V	MOTOR DANF. H1B 250A SAE-E 2 SPEED 24V	MOTOR DANF. H1B 250A SAE-E 2 SPEED 24V	MOTOR DANF. H1B 250A SAE-E 2 SPEED 24V	MOTOR DANF. H1B 250A SAE-E 2 SPEED 24V	1
025	18303121	DISTANZIALE D60 X D85 L=20 TRAS SFCTL301	SPACER D60XD85 L=20 TRAS SFCTL301	DISTANZST.D60XD85 L=20 ANTRIEB SFCTL301	ENTRETOISE D60XD85 L=20 TRAS SFCTL301	DISTANCIADOR D60XD85 L=20 TRAS SFCTL301	1
026	97284580	ANELLO O-RING OR 142/3237 60,00X2,62	OIL SEAL OR 142/3237 60,00X2,62	O-DICHTUNGSRING 142/3237 60,00 X 2,62	BAGUE ETACH OR. 142/3237 60,00X2,62	RETEN 142/3237 60,00X2,62	1
027	18603030	ANELLO DI TENUTA 75 X110 X12	OIL SEAL 75 X110 X12	DICHTUNGSRING 75 X110 X12	BAGUE ETACH. 75 X110 X12	RETEN 75 X110 X12	1
028	18603011	CUSCINETTO 22212 E 60X110X28 OR.RULLI	bearing 22212 E - 60/110/28	VERST. ROLLENLAGER 22212 E 60X110X28	ROULEMENT 22212 E - 60/110/28	RODAMIENTO 22212 E 60X110X28 RODILLOS	1
029	18603097	ALBERO PROL CPL DANFOSS H1-B 250A SFC	EXT SHAFT CPL DANFOSS H1-B 250A SFC	WELLE VERL. KPL DANFOSS H1-B 250A SFC	ARBRE RALL. CPL DANFOSS H1-B 250A SFC	EJE PROLONG. CPL DANFOSS H1-B 250A SFC	1
031	18603213	CUSCINETTO 21312 E 60X130X31 OR.RULLI	BEARING 21312 E 60X130X31 ROLLER OR.	LAGER 21312 E 60X130X31 OR. WALZE	ROULEMENT 21312 ET 60X130X31 OR.ROULEAUX	COJINETE 21312 E 60X130X31 OR.RODILLOS	1
032	96868376	ANELLO EL. PER ALBERI 60X2	EL.RING F.SHAFTS 60X2	WELLENSPANNRING 60X2	BAGUE ARRET P.ARBRES 60X2	RETEN EL.P.EJES 60X2	1
033	96876476	ANELLO EL. PER FORI 130X4	CIRCLIP FOR HOLES 130X4	EL. RING FUER BOHRUNGEN 130X4	ANNEAU ÉL. POUR TROUS 130X4	ANILLO EL. PARA AGUJEROS 130X4	1

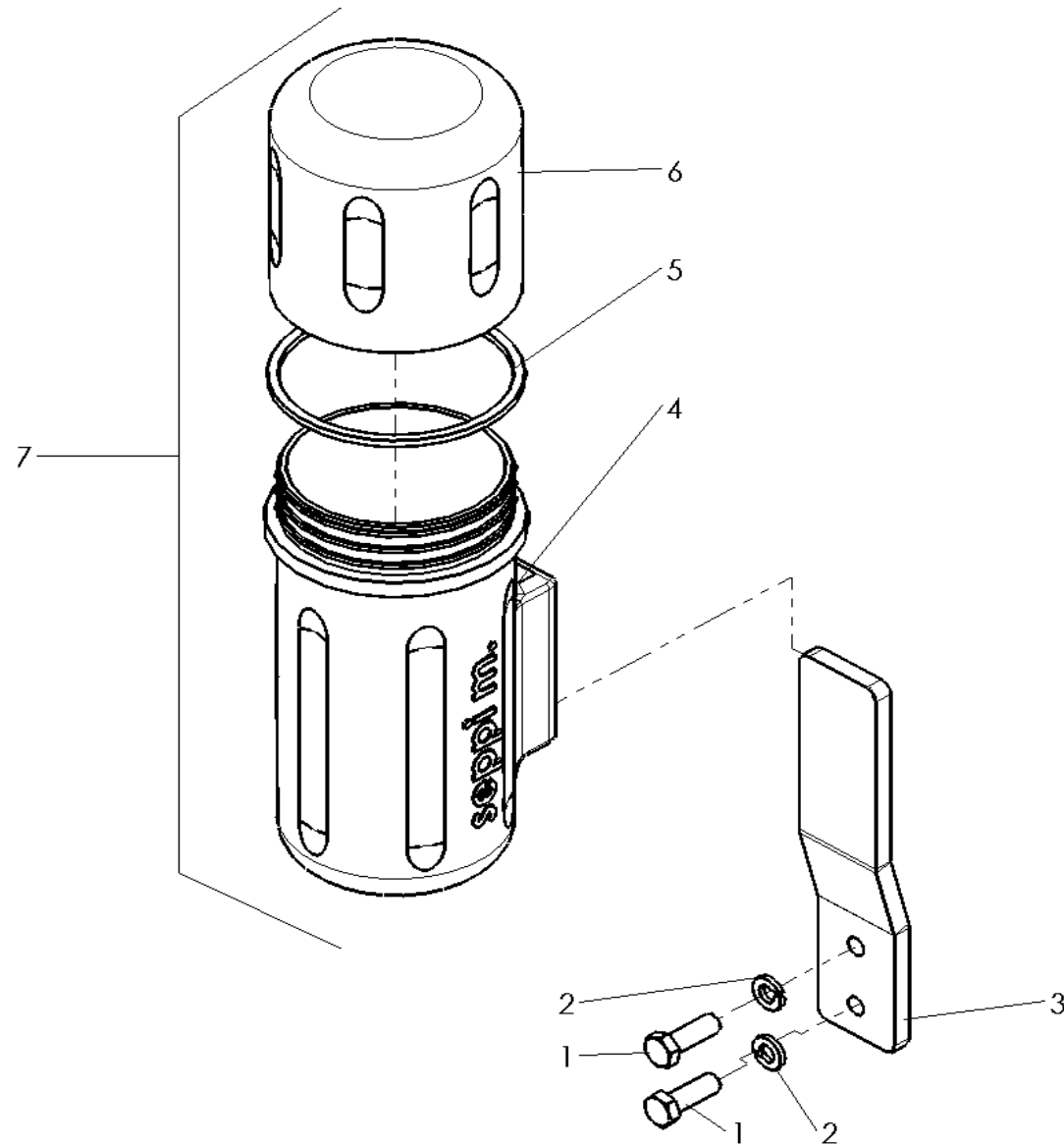
035	18603233	PROLUNGA CPL SX SFC HYD	EXTENSION CPL SX SFC HYD	VERLAENGERUNG KPL L SFC HYD	RALLONGE CPL GCHE SFC HYD	PROLONG. CPL IZQ SFC HYD	1
036	18603234	PROLUNGA SX SFC HYD	EXTENSION SX SFC HYD	VERLAENGERUNG L SFC HYD	RALLONGE GCHE SFC HYD	PROLONG IZQ SFC HIDR	1



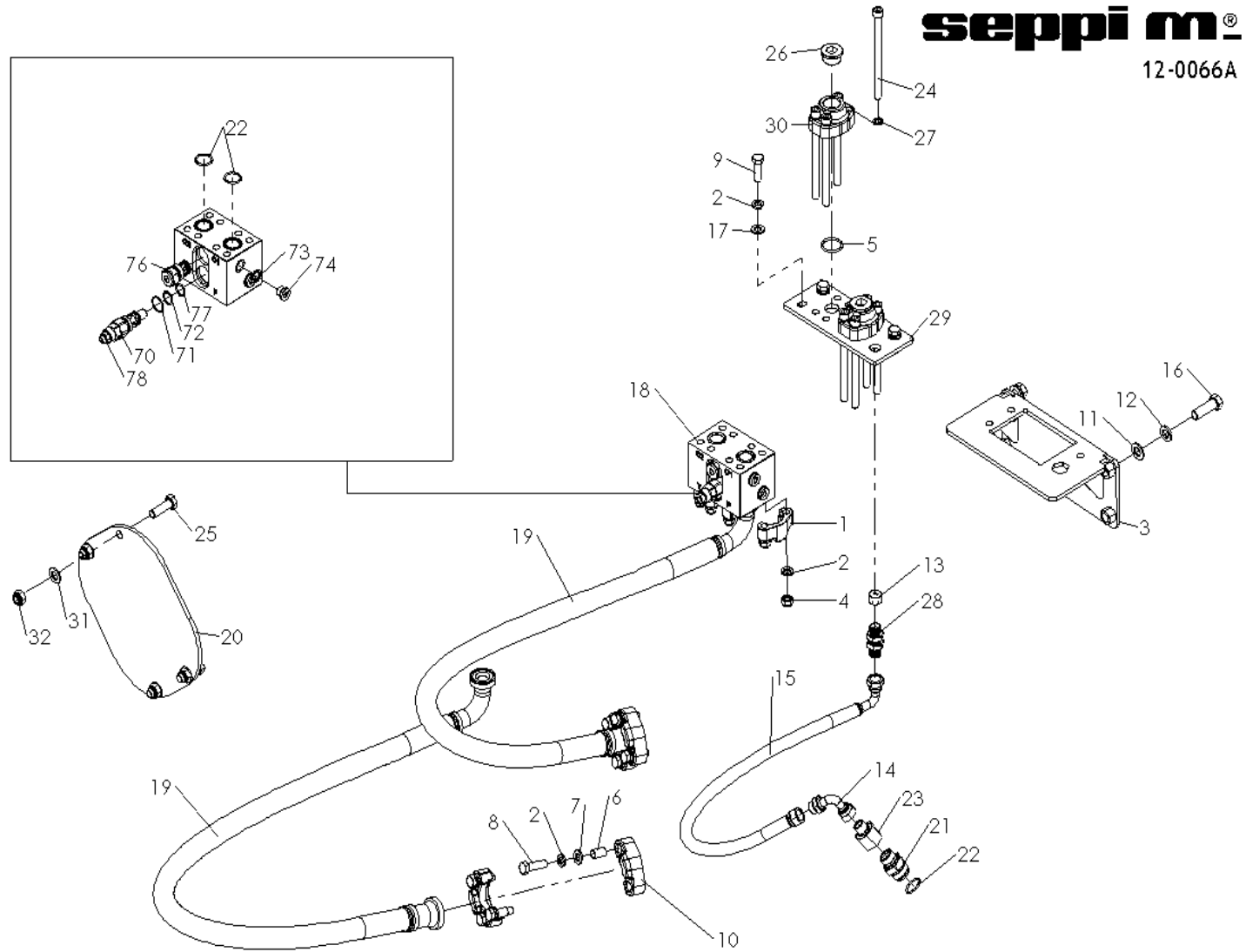
Pos.	Code	Descrizione	Description	Beschreibung	Description	Descripción	Quantity
001	97344422	VITE TSEI M 8X 25 UNI 5933 10.9 ZN	BOLT TSEI M 8X 25 UNI 5933 8.8 ZN	SCHRAUBE TSEI M 8 X 25 UNI 5933 8,8 ZN	VIS TSEI M 8X 25 UNI 5933 8.8 ZN	TORNILLO TSEI M 8X 25 UNI 5933 8.8 ZN	1
002	18610096	ASTA CPL PORTACATENE SU TELAIO SFC 125	CHAIN ROD SFC 125	KETTENSTANGE SFC 125	TIGE DE CHAINES SFC 125	BARILLA DE CADENAS SFC 125	1
003	18610036	CATENA DI PROTEZIONE 13 MAGLIE FILO 12	PROTECTION CHAIN 13 LINKS WIRE 12	KETTENSCHUTZ 13 KETTENGLIED 12	CHAÎNE DE PROTECTION 13 MAILLES FIL 12	CADENA DE PROTECCIÓN 13 MALLAS HILO 12	25

seppi m.[®]

11-0002

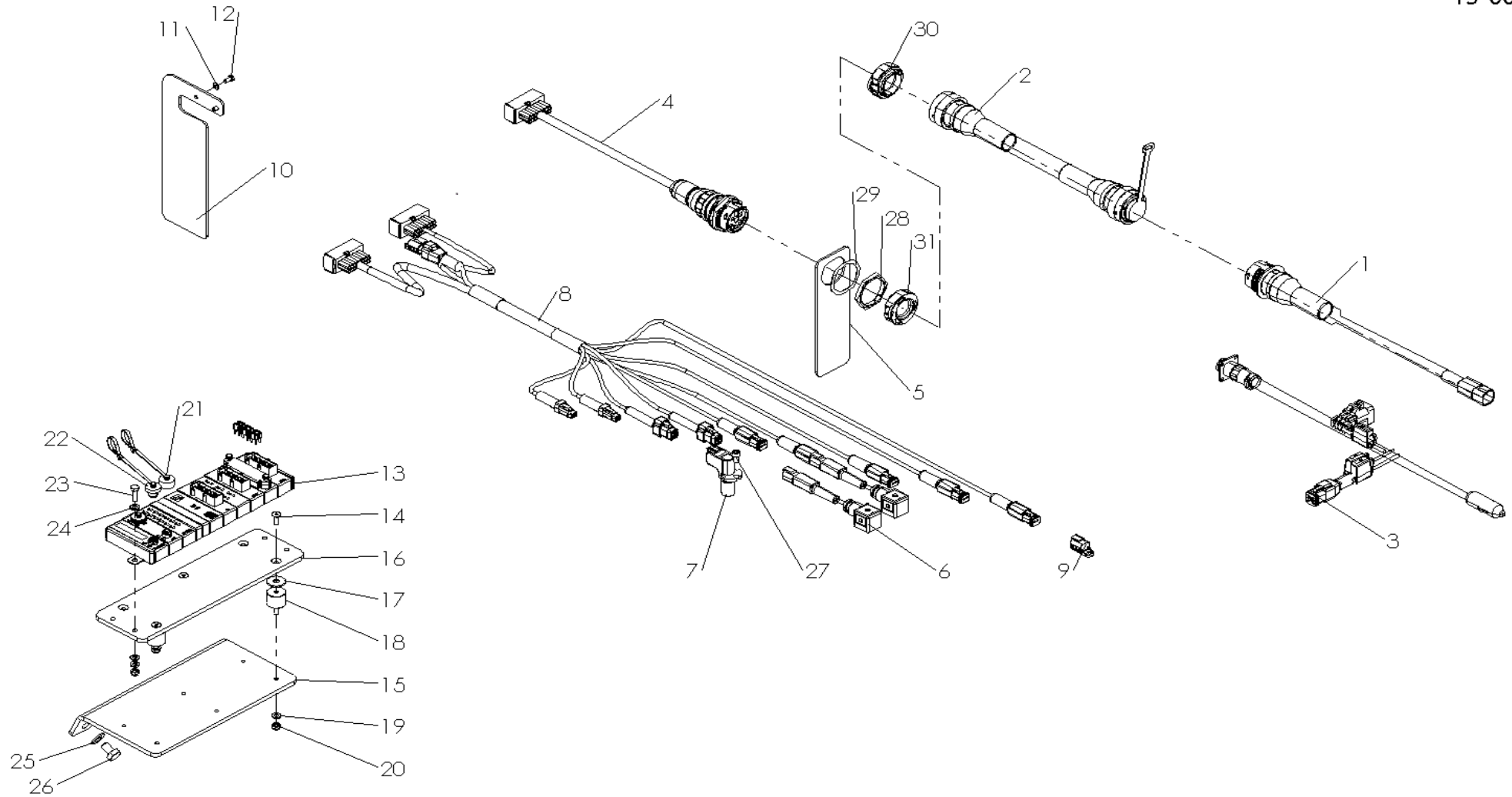


Pos.	Code	Descrizione	Description	Beschreibung	Description	Descripción	Quantity
001	96605621	VITE TE M 8X 25 UNI 5739 8.8 ZN	BOLT TE M 08X025 UNI 5739 8.8 ZN	SCHRAUBE TE M 8 X 25 UNI 5739 8,8 ZN	VIS TE M 08X025 UNI 5739 8.8 ZN	TORNILLO TE M 8X 25 UNI 5739 8.8 ZN	2
002	97494831	RONDELLA UNI 9195 ELSP 8,1X14,8X2,3 ZN	WASHER UNI 9195 ELSP 8,1X14,8X2,3 ZN	SCHEIBE UNI 9195 ELSP 8,1X14,8X2,3 ZN	RONDELLE UNI 9195 ELSP 8,1X14,8X2,3 ZN	ARANDELA UNI 9195 ELSP 8,1X14,8X2,3 ZN	2
003	13011077	PIASTRA X CONTENITORE	CONTAINER PLATE	PLATTE FUER BEHAELTER	PLAQUE POUR RÉCIPIENT	PLACA X CONTENEDOR	1
004	13011069	CONTENITORE PER MANUALI	CONTAINER FOR MANUALS	BEHAELTER FUER HANDBUECHER	RÉCIPIENT POUR MANUELS	CONTENEDOR PARA MANUALES	1
005	13011072	GUARNIZIONE PER CONTENITORE MANUALI	GASKET FOR MANUALS CONTAINER	DICHTUNG FUER BEHAELTER FUER HANDBUECHER	JOINT POUR RÉCIPIENT MANUELS	JUNTA PARA CONTENEDOR DE MANUALES	1
006	13011070	TAPPO PER CONTENITORE MANUALI	CAP FOR MANUALS CONTAINER	DECKEL FUER BEHAELTER FUER HANDBUECHER	BOUCHON POUR RÉCIPIENT MANUELS	TAPÓN PARA CONTENEDOR DE MANUALES	1
007	13011071	CONTENITORE CPL PER MANUALI	MANUAL HOLDER	BEHAELTER KPL FUER HANDBUECHER	CONTENITEUR POUR MANUELS	RECIPIENTE PARA LOS MANUALES	1



Pos.	Code	Descrizione	Description	Beschreibung	Description	Descripción	Quantity
001	19712020	SEMIFLANGIA SAE J518 6000 1" COD.62	SEMI-FLANGE SAE J518 6000 1" CODE 62	HALBFLANSCH SAE J518 6000 1" COD.62	DEMI-BRIDE SAE J518 6000 1" CODE 62	SEMI ARANDELA SAE J518 6000 1" CÔD.62	4
002	97495031	RONDELLA UNI 9195 ELSP 12,2X21,2X3,2 ZN	WASHER ELSP ASA B- 27 - 12,2X21,2X3,2 ZN	SCHEIBE ELSP ASA B-27 - 12,2X21,2X3,2 ZN	RONDELLE ELS ASA B- 27 - 12,2X21,2X3,2 Z	ARANDELA ELSP ASA B-27- 12,2X21,2X3,2 ZN	19
003	18601478	STAFFA BLOCCO VALVOLA BYPASS CPL SFC-HYD	BRACKET	BUEGEL	PLAQUE	ESTRIBO	1
004	97972021	DADO AUTOBLOC.BASSO M12-65 UNI7474	LOW.SELFBLOCK.NUT M 12-65 UNI7474	SELBSTSICHER.MUTTER M12-65 UNI7474 NIED.	ECROU AUTOSERR.M 12-65 UNI7474	TUERCA AUTO BLOQ. BAJA M 12-65 UNI7474	8
005	97289280	ANELLO O-RING OR 219/4131 32,93X3,53	OIL SEAL OR 219/4131 32,93X3,53	O-DICHTUNGSRING 219/4131 32,93 X 3,53	BAGUE ETACH OR. 219/4131 32,93X3,53	RETEN 219/4131 32,93X3,53	2
006	17912064	BOCCOLA 15X12.5 L25 RIDUZIONE DIAMETRO	BUSHING 15X12.5 L25 DIAMETER REDUCTION	BUECHSE 15X12.5 L25 REDUZ. DURCHMESSER	BAGUE 15X12.5 L25 RÉDUCTION	CASQUILLO 15X12.5 L25 REDUCCIÓN DIAMÉTRO	8
007	97095311	ROSETTA PIANA 13,0X24X2,5 M12 ZN UNI6592	SMOOTH WASHER UNI6592 13,0X24X2,5 M12 ZN	GLATTE SCHEIBE UNI6592 13X24X2,5 M12 ZN	RONDELL.LISSE UNI6592 13,0X24X2,5 M12 ZN	ARANDELA PLANA UNI6592 13X24X2,5 M12 ZN	3
008	96610221	VITE TE M12X 45 UNI 5739 8.8 ZN	BOLT TE M 12X045 UNI 5739 8.8 ZN	SCHRAUBE TE M 12 X 45 UNI 5739 8,8 ZN	VIS TE M 12X045 UNI 5739 8.8 ZN	TORNILLO TE M12X 45 UNI 5739 8.8 ZN	8
009	96610121	VITE TE M12X 40 UNI 5739 8.8 ZN	BOLT TE M 12X040 UNI 5739 8.8 ZN	SCHRAUBE TE M 12 X 40 UNI 5739 8,8 ZN	VIS TE M 12X040 UNI 5739 8.8 ZN	TORNILLO TE M12X 40 UNI 5739 8.8 ZN	3
010	19012039	SEMIFLANGIA SAE J518 6000 1"1/4 COD.62	DEMI FLANGE SAE J518 6000 1"1/4	HALBFLANGE SAE J518 6000 1"1/4	PROTECTIONS	SEMI CONECTOR SAE J518 6000 1"1/4	4
011	97095711	ROSETTA PIANA 17,0X30X3,0 M16 ZN UNI6592	SMOOTH WASHER UNI 6592 - 16X30X3,0 ZN	GLATTE SCHEIBE UNI 6592 - 16X30X3 ZN	RONDELL.LISSE UNI 6592 - 16X30X3,0 ZN	ARANDELA PLANA UNI 6592- 16,0X30X3,0 ZN	3
012	97495231	RONDELLA UNI 9195 ELSP 16,2X27,4X4 ZN	WASHER ELSP ASA B- 27 - 16,2X27,4X3,5 ZN	SCHEIBE ELSP ASA B-27 - 16,2X27,4X3,5 ZN	RONDELLE ELS ASA B- 27 - 16,2X27,4X3,5 Z	ARANDELA ELSP ASA B-27- 16,2X27,4X3,5 ZN	3
013	18512018	TAPPO PROTEZIONE X FIL. MASCHIO 1/2"	PROTECTION CAPXMALE THREAD 1/2"	SCHUTZVERSCHLUSS F. FILTER AUSSENG. 1/2"	BOUCHON PROTECTION POUR FIL. MÂLE 1/2"	TAPÓN DE PROTECCIÓNXROS. MACHO 1/2"	1
014	13112009	CURVA 90° M-F GIREVOLE G 1/2"	JOIN 90°da 1/2"CON RACC.GIREV.MFG90G1/2	KNIE 90° 1/2"DREH. MFG90G1/2	CONNECTIONS 90°da 1/2"CON RACC.GIREV.MFG	CONNECTIONS 90°da 1/2"CON RACC.GIREV.MFG	1
015	10512126	TUBO IDR R2AT 1/2" 800-FD-F90	TUBE R2AT 1/2" 800-FD-F90	SCHLAUCH R2AT 1/2" 800-FD-F90	TUYAU R2AT 1/2" 800-FD-F90	TUBO R2AT 1/2" 800-FD-F90	1
016	96614823	VITE TE M16X 50 UNI 5739 10.9 ZN	HEX HEAD SCREW M16X 50 UNI 5739 10.9 GV	SCHRAUBE TE M16X 50 UNI 5739 10.9 ZN	VIS TH M16X 50 UNI 5739 10.9 ZN	TORNILLO TE M16X 50 UNI 5739 10.9 GALV.	3
017	97093211	ROSETTA PIANA CARPENT. M12 ZN UNI5714	WASHER	GLATTE SCHEIBE F. M12 UNI 5714 ZN	RONDELLE LISSE M M12 UNI 5714	ARANDELA PLANA CARPINT.X M12 UNI 5714 ZN	8
018	19012049	BLOCCO VALV.BYPASS SOVRAPRES. F12-80	BYPASS VALVE OVER-PRESSURE F.F 12-80	VENTILBLOCK BYPASS +UEBERDRUCK F12-80	VALVE BYPASS SURPRESSION P.F 12-80	VALVULA BYPASS SOBREPRES.PARA F 12-80	1
019	18612079	TUBO IDR G6K 1" 1100-FL6901"-FL6D1"1/4	HYDR HOSE G6K 1" 1100-FL6901"-FL6D1"1/4	HYDR.S. G6K 1" 1100-FL6901"-FL6D1"1/4	TUYAU HYDR G6K 1" 1100-FL6901"-FL6D1"1/4	TUBO HIDR G6K 1" 1100-FL6901"-FL6D1"1/4	2
020	18601482	COPERTURA FORO MOTORE STAR-FC HYD	COVER	DECKEL	COUVERCLE	TAPA	1
021	17612006	NIPPLO DI RIDUZIONE M-M 3/4"-1"5/16JIC	REDUCTION NIPPLE M-M 3/4"-1"5/16JIC	ANPASSUNGSTUECK M-M 3/4"-1"5/16JIC	MAMELON DE R•DUCTION M-M 3/4"-1"5/16JIC	NIPLE DE REDUCCIÉN M-M 3/4"-1"5/16JIC	1
022	97281880	ANELLO O-RING OR 123/3118 29,82X2,62	OIL SEAL OR 123/3118 29,82X2.62	O-DICHTUNGSRING 123/3118 29,82 X 2,62	BAGUE ETACH. OR 123/3118 29,82X2,62	RETEN 123/3118 29.82X2.62	1
023	42012029	RACCORDO RIDUZ. F3/4" - M1/2" L.ES=30	REDUCTION FITTING F3/4" - M1/2" L.ES=30	ANSCHLUSS REDUZIERST. F3/4-M1/2 L.ES=30	RACCORD RÉDUCT. F3/4" - M1/2" L.ES=30	EMPALME REDUC. H3/4" - M1/2" L.ES=30	1
024	96697421	VITE TCEI M12X170 UNI 5931 8.8 ZN	HEX SCREW M12X170 UNI 5931 8.8 GALV	SCHRAUBE TCEI M12X170 UNI 5931 8.8 ZN	VIS TCEI M12X170 UNI 5931 8.8 ZN	TORNILLO TCEI M12X170 UNI 5931 8.8 ZN	8
025	96612523	VITE TE M14X 45 UNI 5739 10.9 ZN	HEX HEAD SCREW M14X 45 UNI 5739 10.9 GV	SCHRAUBE TE M14X 45 UNI 5739 10.9 ZN	VIS TH M14X 45 UNI 5739 10.9 ZN	TORNILLO TE M14X 45 UNI 5739 10.9 GALV.	4
026	48403077	TAPPO MASCHIO ESAG. INC. 1"	CAP	SECHSKANTVERSCHLUSS 1" GAS	BOUCHON	TAPON	2
027	97101731	ROND. TCEI DIN7980 ELSP 12,2X18,0X2,5 ZN	WASHER DIN 7980 ELSP 12,2X18,0X2,5 GV	UNTERLEGESCHEIBE DIN 7980 ELSP 12,2X18,0	RONDELLE DIN 7980 ELSP 12,2X18,0X2,5 ZN	ARANDELA DIN 7980 ELSP 12,2X18,0X2,5 ZN	8
028	48112032	RACCORDO PASSAPARETE M1/2"-M1/2"	PANEL FEED-THROUGH FITTING M1/2"-M1/2"	ANSCHLUSS SCHOTTVERSCHRAUBUNG M1/2"-M1/2	RACCORD PASSE-PAROI M1/2"-M1/2"	RACOR PASAMUROS M1/2"-M1/2"	1
029	18612078	PIASTRA RETTIFICATA X H1B SFC HYD	RECT. PLATE F. H1B SFC HYD	PLATTE X H1B SFC HYD	PLAQUE RECTIFIEE POUR H1B SFC HYD	PLANCHA RECTIFICADA X H1B SFC HIDR	1

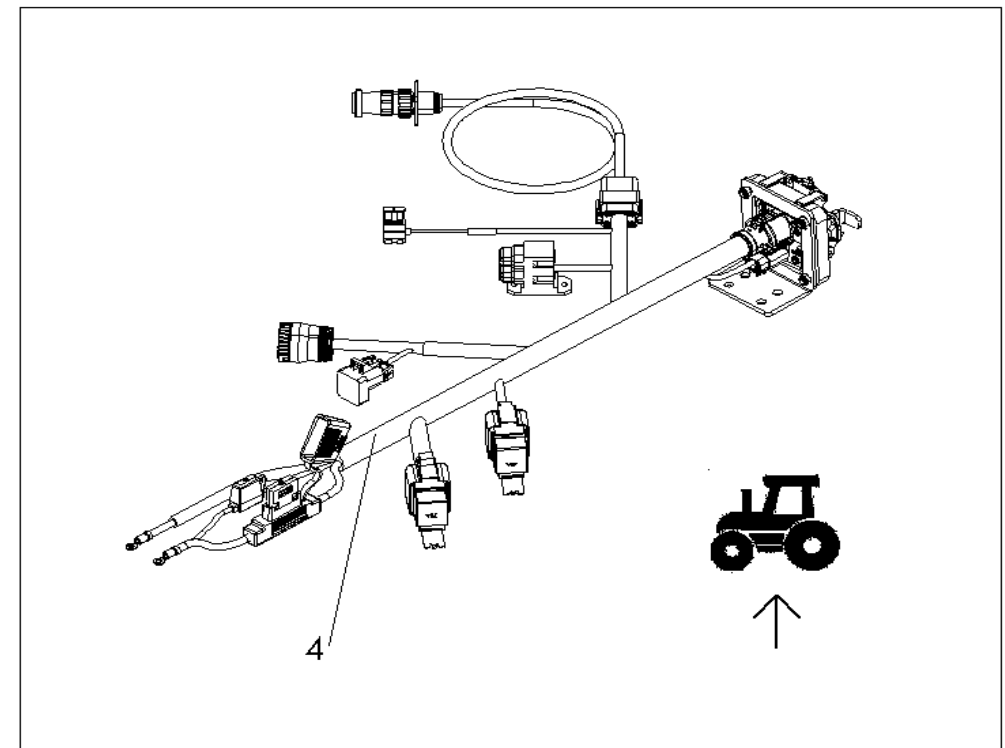
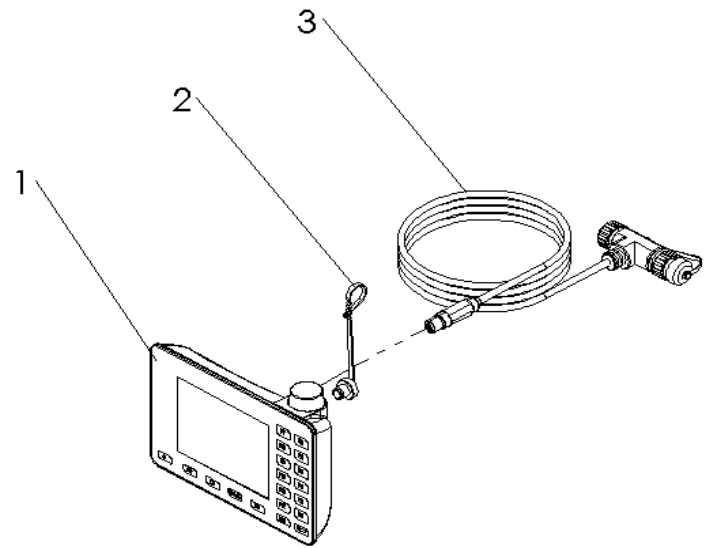
030	48120249	FLANGIA SAE FILETTATA DRITTA 1" 6000	FLANGE	GERADE FLANSCH INN. GEW. 1"6000	FLANGE	BRIDA	2
031	97095511	ROSETTA PIANA 15,0X28X2,5 M14-ZN UNI6592	SMOOTH WASHER UNI 6592 - 14X28X2,5 ZN	GLATTE SCHEIBE UNI 6592 - 14X28X2,5 ZN	RONDELL. LISSE UNI 6592 - 14X28X2,5 ZN	ARANDELA PLANA UNI 6592-14,0X28X2,5 ZN	4
032	97972321	DADO AUTOBLOC. BASSO M14-6S UNI7474	LOW.SELFBLOCK.NUT M 14-6S UNI7474	SELBSTSICHER.MUTTER M14-6S UNI7474 NIED.	ECROU AUTOSERR.M 14-6S UNI7474	TUERCA AUTO BLOQ. BAJA M 14-6S UNI7474	4
070	48012006	VALVOLA REGOL.PRESS. (VLP 130-CD-03-A)	PRESS.REGUL.VALVE (VLP 130-CD-03-A)	DRUCKREGLERVENTIL (VLP 130-CD-03-A)	SOUPAPE RÉGL.PRESS.(VLP 130-CD-03-A)	VÁLVULA REGUL.PRESS.(VLP 130-CD-03-A)	1
072	48012054	ANELLO ANTI ESTRUSIONE GPK00116	ANTI-EXTRUSION RING GPK00116	ANTI-EXTRUSIONS-RING GPK00116	BAGUE ANTI EXTRUSION GPK00116	ANILLO ANTI EXTRUSIÓN GPK00116	1
073	96508360	GUARNIZ. TIPO BONDED AUTOCENT. 3/8"	COPPER GASKET 17 X 22(3/8")	KUPFERDICHTUNG 17 X 22 (3/8")	JOINT EN CUIVRE 17 X 22(3/8")	JUNTA SECC. RECT. A17 X 22 (3/8")	4
074	10612120	TAPPO MASCHIO ESAG. INC. 3/8"	MALE HEX.SOCK.CAP 3/8"	PROPFEN AUSSENGEW+SECHSKANT.INC.3/8"	BOUCHON M%OLE HEXAG.ENC.3/8"	TAPÓN MACHO HEXAG.INC.3/8"	4
075	97281880	ANELLO O-RING OR 123/3118 29,82X2,62	OIL SEAL OR 123/3118 29,82X2,62	O-DICHTUNGSRING 123/3118 29,82 X 2,62	BAGUE ETACH. OR 123/3118 29,82X2,62	RETEN 123/3118 29.82X2.62	2
076	19012027	VALVOLA DI NON RITORNO VNR130C	NON-RETURN VALVE VNR130C	RUECKSCHLAGVENTIL VNR130C	CLAPET DE NON RETOUR VNR130C	VÁLVULA DE RETORNO VNR130C	1
077	97277270	ANELLO O-RING OR 116/3075 18,72X2,62	O-RING OR 116/3075 18,72X2,62	O-RING OR 116/3075 18,72X2,62	O-RING OR 116/3075 18,72X2,62	O-RING OR 116/3075 18,72X2,62	1
078	97038121	DADO M10-6S UNI5588 MEDIO H=08 NERO	NUT M 10-6S UNI5588 MEDIO H=08	MUTT.M 10-6S UNI5588 MEDIO H=08	ECR.M 10-6S UNI5588 MEDIO H=08	TUERCA M 10-6S UNI5588 MEDIA H=08	1



Pos.	Code	Descrizione	Description	Beschreibung	Description	Descripción	Quantity
001	18613039	CAVO ISOBUS TRATTORE-PASSAP	ISOBUS EXTENSION CORD 15MT	ISOBUS KABEL VERLAENGERUNG	CABLE EXTENSION ISOBUS 15 MT	CABLE EXTENSION ISOBUS 15 MT	1
		15M PER HYD	FOR HYD	15MT FUER HYD	POUR HYD	PARA HYD	
002	18613042	CAVO ISOBUS PASSAP. -TRINCIA	ISOBUS CONNECTION WIRE	ISOBUS KABEL MULCHER-	CABLE ISOBUS CONNEX. BROYER.	CABLE ISOBUS CONNEX. TRITUR.	1
		2.5M 2.5MMQ	MULCHER-CONN 2.5M	ANSCHL. 2.5M	EXCAV. 2.5M	EXCAV. 2.5M	
003	16313007	CAVO ISOBUS CABINA PER HYD	INCAB WIRING HARNESS	KABEL INCAB	CABLAGE INCAB	CABLE INCAB	1
		CPL					
004	16913073	CAVO ISOBUS ECU-PASSAPARETE	CABLE ISOBUS ECU-PASS-	KABEL ISOBUS ECU-	CÂBLE ISOBUS ECU-PASSE-PAROI	CABLE ISOBUS ECU-PASAPARED	1
		TRINCIA	THROUGH MULCHER	KABELDURCHFÜHRUNG MULCH	TRANCHEE	TRITURA	
005	16313009	SUPPORTO UNIVERSALE	SUPPORT	HALTERUNG	SUPPORT	SOPORTE	1
		PASSAPARETE ISOBUS					
007	16903089	SENSORE DI VELOCITA' X MOTORI	SPEED SENSORX MOTORS H1B 7-	GESCHWINDIGKEITSSENSOR	CAPTEUR DE VITESSE P.MOTEURS	SENSOR DE VELOCIDADX MOTORES	1
		H1B 7-32V	32V	F.MOTOREN H1B 7-3	H1B 7-32V	H1B 7-32V	
008	16913071	CAVO SENSORI TRINCIA UNIVERS.	MOWER UNIV. SENSOR CABLE	KABEL SENSOREN UNIV.	CABLE CAPTEURS BROYEUR	CABLE SENS. TRITUR. UNIVERS.	1
		ISOBUS-ECU	ISOBUS-ECU	MULCHER ISOBUS-ECU	UNIV. ISOBUS-ECU	ISOBUS-ECU	
009	16913114	TAPPO PARAPOLVERE DT 2 1011-	DUST PLUG	STAUB PROPFEN	BUCHON POUSSIERE	PLACA POLVO	3
		344-0205					
010	16313010	SUPPORTO UNIVERSALE	UNIVERSAL SUPPORT	UNIVERSELLE HALTERUNG	SUPPORT UNIVERSELLE	SOPORTE UNIVERSAL	1
		TERMINALE ISOBUS					
011	97094511	ROSETTA PIANA 05,3X10X1,0 M 5	SMOOTH WASHER UNI 6592-	GLATTE SCHEIBE UNI 6592-	RONDELL. LISSE UNI 6592-	ARANDELA PLANA UNI 6592-	2
		ZN UNI6592	05,3X10X1,0 ZN	5,3X10X1 ZN	05,3X10X1,0 ZN	05,3X10X1,0 ZN	
012	96627221	VITE TE M 5X 10 UNI 5739 8.8	BOLT 5X 10	SCHRAUBE 5X 10	VIS 5X 10	TORNILLO 5X 10	2
		ZN					
013	16913119	ECU ISOBUS M10I	ECU STONE CRUSHER	ECU STEINBRECHER	ECU MALAXEURS	ECU ROMPI PIEDRAS	1
		STONECRUSHER					
014	97343521	VITE TSEI M 6X 16 UNI 5933 10.9	FLAT SOCKET HEAD CAP SCREW	SCHRAUBE TSEI M 6X 16 UNI	VIS TSEI M 6X 16 UNI 5933 10.9	TORN.ALLEN AVELL M 6X 16 UNI	3
		ZN	M 6X 16 UNI 5	5933 10.9 ZN	ZN	5933 10.9 G	
015	16313003	LAMIERA SOSTEGNO ECU ISOBUS	SUPPORT	HALTERUNG	SUPPORT	SOPORTE	1
		X MINISOIL					
016	17213011	SUPPORTO ECU ISOBUS	SUPPORT PLATE ECU	HALTERUNG ECU	SUPPORT ECU	SOPORTE ECU	1
017	97094921	RONDELLA ISO7093/2	SMOOTH WASHER M 8 9X24X2	SCHEIBE 9X24X2	RONDELLE LISSE M 8 9X24X2 ZN.	ARANDELA 9X24X2	3
		GREMBIALINA 8X24X2	ZN.				
018	16912043	ANTIVIBRANTE EI 25X20 M6X18	ANTIV DAMPER D25 X 20 M 6 X	SCHWINGUNGSDAEMPFER D25 X	AMMORT. ANTIV D25 X 20 M 6 X	AMMORTIG ANTIV D25 X 20 M 6 X	3
			18	20 M 6 X 18	18	18	
019	97494731	RONDELLA UNI 9195 ELSP	WASHER ELSP ASA B- 27 -	SCHEIBE ELSP ASA B-27 -	RONDELLE ELS ASA B- 27 -	ARANDELA ELSP ASA B-27-	2
		6,1X11,8X1,6 ZN	06,1X11,8X1,6 ZN	06,1X11,8X1,6 ZN	06,1X11,8X1,6 Z	6,1X11,8X1,6 ZN	
020	97971621	DADO AUTOBLOC.BASSO M 6-6S	LOW.SELFBLOCK.NUT M 6-6S	SELBSTSICHER.MUTTER M 6-6S	ECROU AUTOSERR.M 6-6S	TUERCA AUTO BLOQ. BAJA M 6-6S	5
		UNI7474	UNI7474	UNI7474 NIED.	UNI7474	UNI7474	
021	16913069	TAPPO PARAPOLVERE M12	DUST PLUG M12 F	STUABPROPFEN M12 W	BUCHON POUSSIÈRE M12 F	TAPON PARA POLVO M12E	1
		FEMMINA					
022	16913068	TAPPO PARAPOLVERE M12	M12 DUST CAP MALE	STAUBKAPPE M12 STECKER	BOUCHON PARE-POUSSIERE M12	TAPA PARA POLVO M12 MACHO	1
		MASCHIO			MALE		
023	96603727	VITE TE M 6X 20 UNI 5739 8.8	BOLT TE M 6X 20 UNI 5739 8.8	SCHRAUBE TE M 6 X 20 UNI 5739	VIS TE M 6X 20 UNI 5739 8.8 ZN	TORNILLO TE M 6X 20 UNI 5739 8.8	2
		ZN	ZN	8,8 ZN		ZN	
025	97095111	ROSETTA PIANA 10,5X20X2,0 M10	SMOOTH WASHER UNI 6592 -	GLATTE SCHEIBE UNI 6592 -	RONDELL.LISSE UNI 6592 -	ARANDELA PLANA UNI 6592-	3
		ZN UNI6592	10,5X21X2,0 ZN	10,5X21X2 ZN	10,5X21X2,0 ZN	10,5X21X2,0 ZN	
026	96607421	VITE TE M10X 16 UNI 5739 8.8	BOLT TE M10X 16 UNI 5739 8.8	SCHRAUBE TE M10X 16 UNI 5739	VIS TH M10X 16 UNI 5739 8.8 ZN	TORNILLO TE M10X 16 UNI 5739	3
		ZN	8.8 ZN	8.8 ZN		8.8 GALV.	
027	96689021	VITE TCEI M 6X 12 UNI 5931 8.8	HEX SCREW M 6X 12 UNI 5931	SCHRAUBE TCEI M 6X 12 UNI	VIS TCEI M 6X 12 UNI 5931 8.8	TORNILLO TCEI M 6X 12 UNI 5931	1
		ZN	8.8 GALV	5931 8.8 ZN	ZN	8.8 ZN	
028	16813015	DADO PER PARETE CONN. IBIC	NUT	MUTTER	ECROU	TUERCA	1
		2411-001-2405					
029	16813016	RONDELLA X CONN. IBIC 2414-	SPRING WASHER	FEDERSCHEIBE	RONDELLE ELS	ARANDELA AVELL	1
		001-2486					
030	16813014	TAPPO PROTETTIVO ISOBUS	DEUTSCH PLUG	STOPFEN DEUTSCH	BUCHON DEUTSCH	TAPON DEUTSCH	1
		DEUTSCH HDC26-24					
031	32313139	TAPPO PROTETTIVO ISOBUS	PROTECTION CAP JAEGER	SCHUTZKAPPE JAEGER 037447	BUCHON JAEGER 037447	TAPON JAEGER 037447	1
		JAEGER 037447	037447				

seppi m®

13-0012A



Pos.	Code	Descrizione	Description	Beschreibung	Description	Descripción	Quantity
001	16913109	UT ISOBUS T35I	ISOBUS T35I TOOL	WZ ISOBUS T35I	UT ISOBUS T35I	UT ISOBUS T35I	1
002	16913068	TAPPO PARAPOLVERE M12 MASCIO	M12 DUST CAP MALE	STAUBKAPPE M12 STECKER	BOUCHON PARE-POUSSIÈRE M12 MALE	TAPA PARA POLVO M12 MACHO	1
003	16913111	CAVO INCAB-T-CONNETTORE M12 -8P ISOBUS	INCAB-T-CONNECTOR M12-8P ISOBUS	INKAB-T-ANSCHLUSS M12-8P ISOBUS	ENCAB-T-CONNECTEUR M12-8P ISOBUS	INCAB-T-CONECTOR M12-8P ISOBUS	1